



Dimension: 291 × 132 × 132mm



### Features:

- High reliability, low ripple
- AC input current AC 180–264V
- Protections: Short circuit/Over load/Over voltage/Over temperature
- Built-in remote ON–OFF control and remote sense function
- With parallel function
- Can adjust from 20%–10% output voltage by external control 1–5V
- Forced air cooling by built-in DC fan
- 2 Years warranty

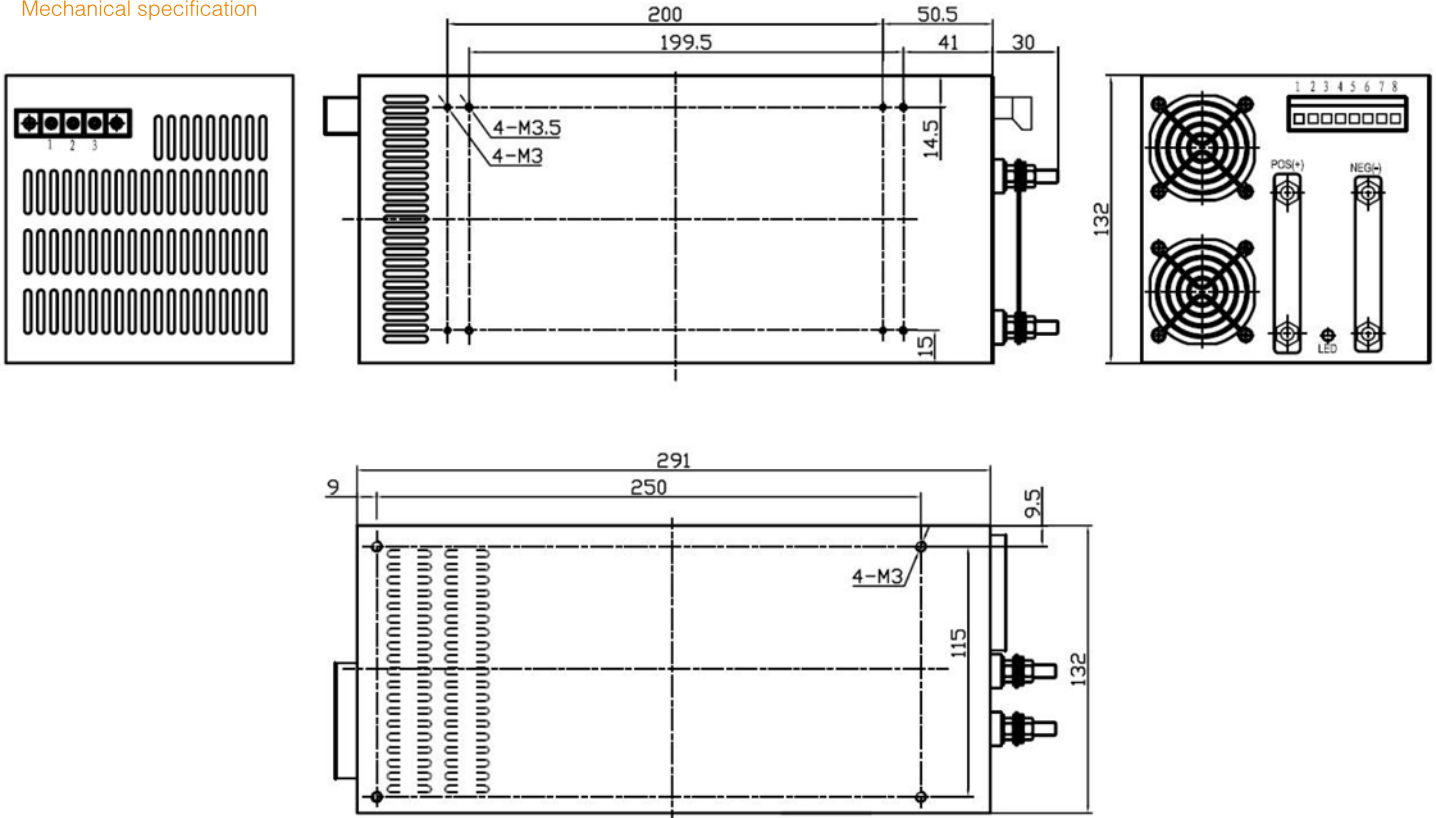
Model		TLPZ-12-1500	TLPZ-15-1500	TLPZ-24-1500	TLPZ-27-1500	TLPZ-36-1500	TLPZ-48-1500	
Output	DC voltage	12V	15V	24V	27V	36V	48V	
	Voltage tolerance	± 1%	± 1%	± 1%	± 1%	± 1%	± 1%	
	Rated current	112.5A	90A	56.4A	55.6A	41.7A	31.3A	
	Current range	0 ~ 112.5A	0 ~ 90A	0 ~ 56.4A	0 ~ 55.6A	0 ~ 41.7A	0 ~ 31.3A	
	Rated power	1500W	1500W	1500W	1500W	1500W	1500W	
	Ripple&noise	150mVp-p	150mVp-p	240mVp-p	240mVp-p	240mVp-p	240mVp-p	
	DC voltage ADJ. range	-9% ~ +10%	± 10%	± 10%	± 10%	± 10%	± 10%	
	Setup, rise, hold up time	1000ms, 50ms, 20ms/230VAC						
Input	Voltage range	190 ~ 260VAC 47 ~ 63Hz, 255 ~ 373VDC						
	AC current	150A/230VAC						
	Efficiency	80%	83%	84%	85%	85%	86%	
	Power factor	0.95/100–240VAC						
	leakage current	< 3.5mA/240VAC						
Protection	Overload	Rated output power 115% ~ 135% Start overload protection protection type: cutoff output, recovery after restart power						
	Over voltage	13.8 ~ 16.2V	18.6 ~ 20.8V	30.6 ~ 33.2V	33.2 ~ 35.6V	42.6 ~ 44.2V	54.8 ~ 56.6V	
	Over temperature	≥85°C ± 5°C (TSW1 detect on heatsink of power transistor) Protection mode: cutoff output, auto-recovery after temperature become normal						
Environment	Working temp, humidity	-10°C ~ +60°C; 20% ~ 90%RH						
	Storage temp, humidity	-20°C ~ +85°C; 10% ~ 95%RH Non-condensing						
	Withstand vibration	10 ~ 500Hz, 2G 10min./1Cycle, Period for 60min, Each axes						
Safety	Withstand voltage	I/P-O/P: 1.5KVAC I/P-FG: 1.5KVAC O/P-FG: 0.5KVAC						
	Isolation resistance	I/P-O/P: I/P-FG, O/P-FG: 100M Ohms/500VDC						
Fit standard	Safety standard	Compliance to UL 62368-1, TUV 62368-1, EN 62368-1						
	EMC Standard	Compliance to EN 55032, CLASSA						
Others	Dimension	291*132*132 mm ( L*W*H )						
	Packing	4.75kg/4pcs/19kg/0.9CUFT						

Note: 1. All parameters NOT specially mentioned are measured at 230VAC input, rated load and 25°C of ambient temperature.

2. Ripple & noise are measured at 20MHz of bandwidth by using a 12" twisted pair-wire terminated with a 0.1uf & 47uf parallel capacitor.

3. Tolerance : includes set up tolerance, line regulation and load regulation.

Mechanical specification



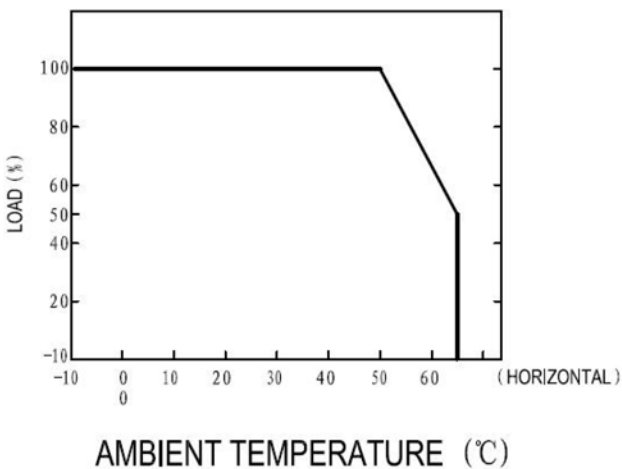
Terminal Pin No. Assignment:

Pin No.	Assignment
1	AC/L
2	AC/N
3	FG ⊕

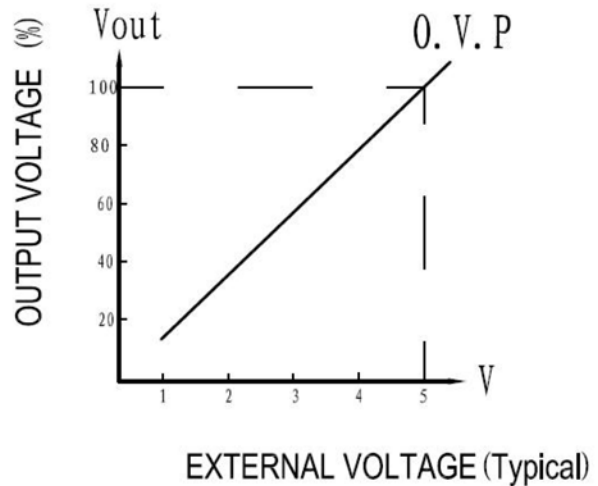
Control Terminal Pin No. Assignment (CN1): Dinkle 51HDBC-08P or equivalent

Pin No.	Assignment	Pin No.	Assignment	Mating With
1	VS+	5	GND	Dinkle 51SDB-08P or equivalent
2	VS-	6	PAR	
3	VCI	7	GND	
4	VCO	8	INH	

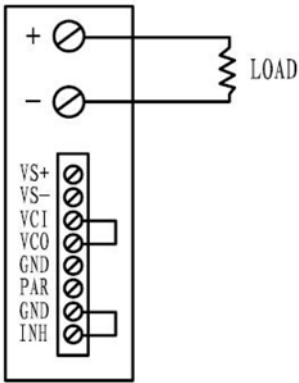
Derating Curve



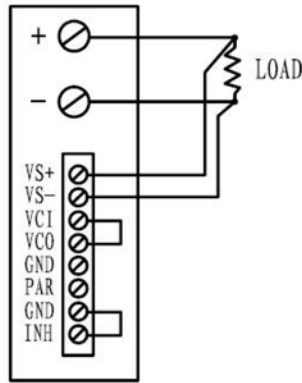
External DC Control VS Output Voltage



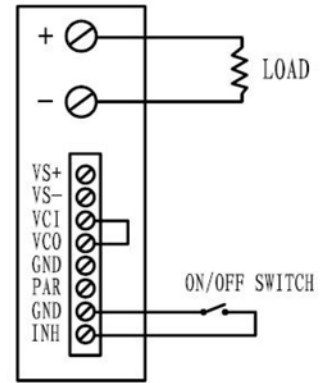
Control terminal instruction manual



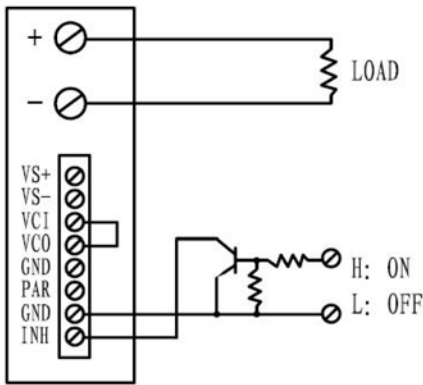
USING INTERNAL VOLTAGE CONTROL



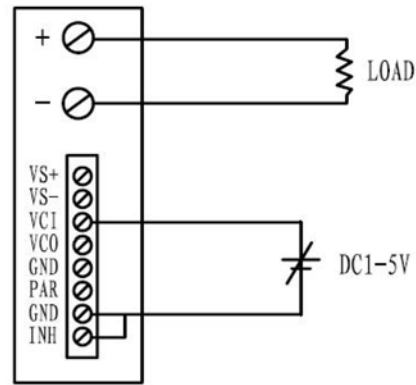
REMOTE SENSING



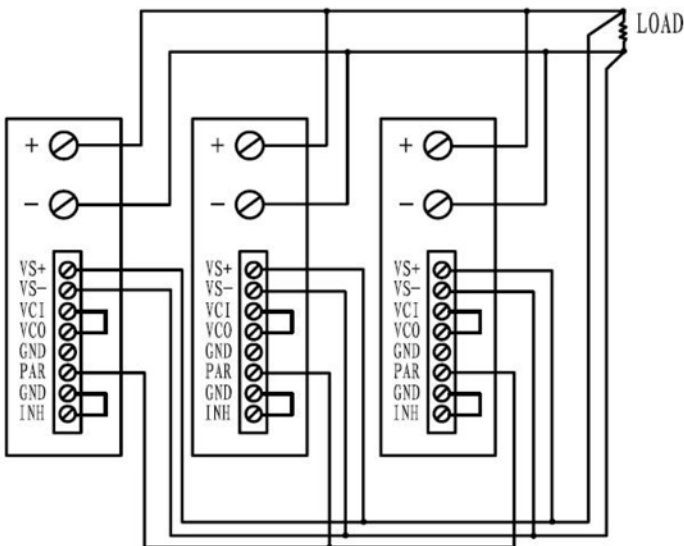
ON/OFF CONTROL BY SWITCH



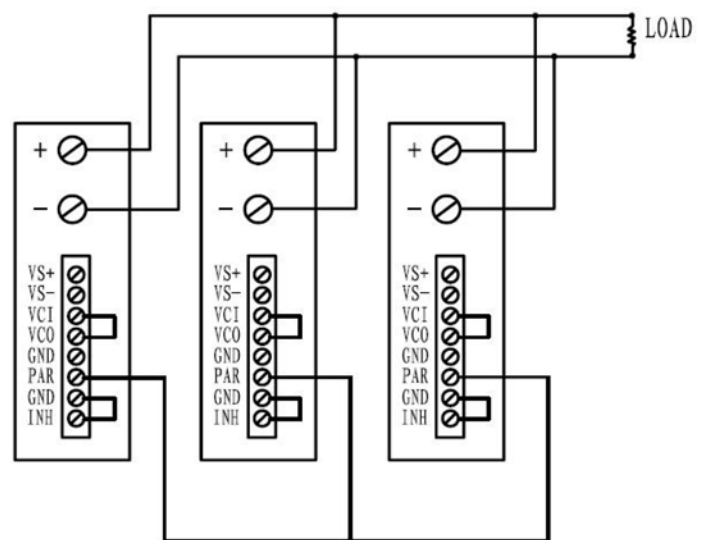
ON/OFF CONTROL BY TRANSISTOR



OUTPUT VOLTAGE ADJUST WITH DC1-5V



PARALLEL OPERATION WITH REMOTE SENSING



PARALLEL OPERATION